

## Our products / Protection against direct effects of lightning

### > Brackets and fixings >

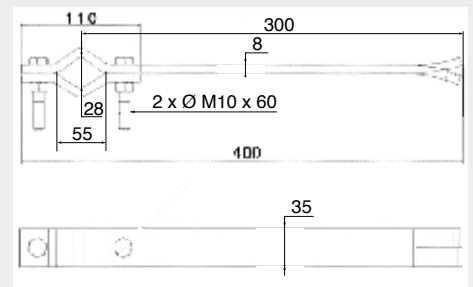
#### ■ Embedding clamp

For fixing air terminals on masonry

- 12001/12002



Ref. 12001/12002



Ref	Material	Profil shift	Height of support	Packaging	Weight
12001	Galvanized Steel	400 mm	< 4 m	2	2,44 kg
12002	Galvanized Steel	400 mm	< 8 m	3	3,66 kg

#### ■ Universal clamp

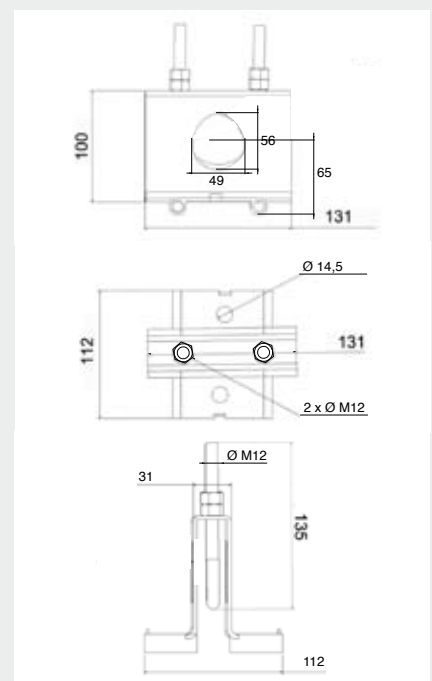
Universal clamp for fixing air terminal brackets on all types of elements.

[ System adapts to all situations.

- 12006/12007



Ref. 12006/12007



Ref	Matière	Profil shift	Height of support	Packaging	Weight
12006	Galvanized Steel	40 mm	< 4 m	2	2,14 kg
12007	Galvanized Steel	40 mm	< 8 m	3	3,21 kg